



CATALOGUE

PUSHLOC FITTINGS

APRIL 2008

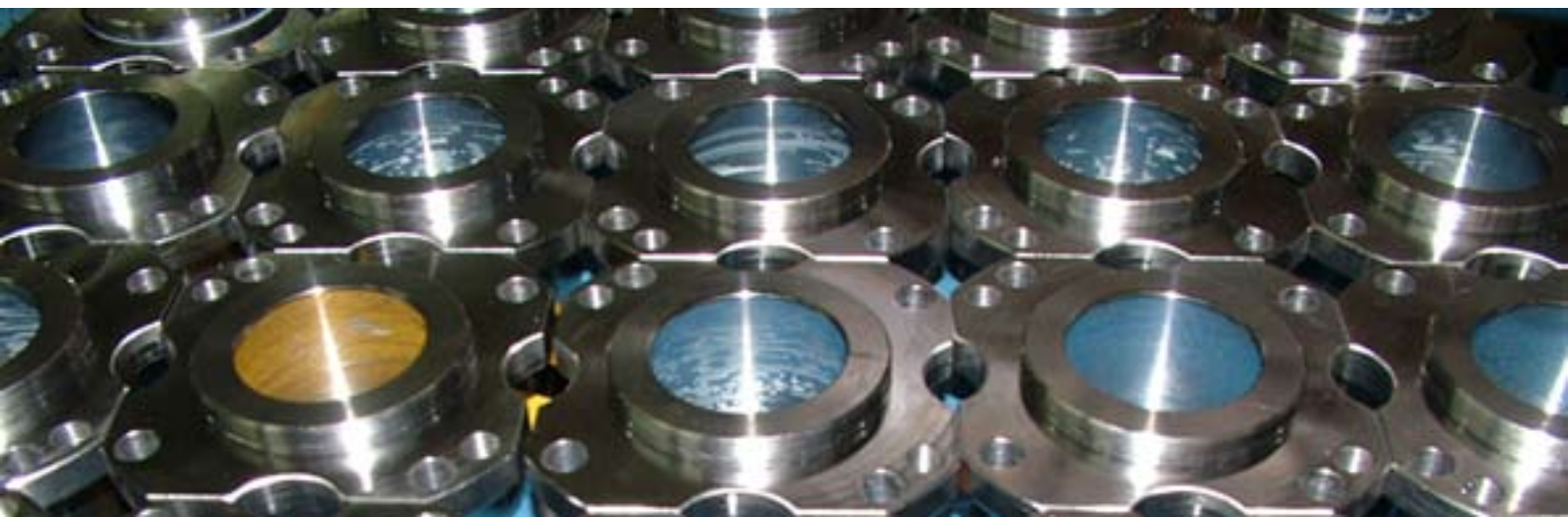
WE SUPPLY:

- HYDRAULIC HOSE ASSEMBLIES
- INDUSTRIAL HOSE
- HYDRAULIC FITTINGS & ADAPTORS
- BRASS FITTINGS
- PNEUMATIC EQUIPMENT

WE MANUFACTURE:

- HYDRAULIC HOSE FITTINGS & ADAPTORS
- CONTRACT CNC TURNING & MILLING
- PRODUCTION MACHINING

WHOLESALE / TRADE / RETAIL



CONTENTS

CONTENTS	PAGE
ABOUT AEON ENGINEERING	3
FITTING PART NUMBERING SYSTEM	4
PUSHLOC FITTINGS	5 - 19
AEON BRASS ADAPTORS	20-22
ADDITIONAL ITEMS	23
ORDER FORM	24
INDEX	25

HOW TO USE THIS CATALOGUE

We've designed this catalogue to show you our range of Pushloc Fittings and Adaptors in the simplest way possible.

To keep it simple, we have only shown each fitting in steel. When ordering these fittings in Stainless or Brass, simply swap the "S" at the beginning of each part number with "N" for Stainless or "B" for Brass.

Use our part numbering system to build the correct part numbers for items not listed in this catalogue.

WHAT WE DO

WE SUPPLY:

- Hydraulic hose assemblies
- Industrial hose
- Hydraulic fittings & adaptors
- Brass fittings (Aeon, Titon, Camozzi, Sanga and others)
- Pneumatic equipment

WE MANUFACTURE:

- Hydraulic hose fittings & adaptors
- Speciality pushloc fittings
- Contract cnc turning & milling
- Production machining

CONTACT US

22 Maunsell St, Woolston, Christchurch

PO Box 19-044

Ph: 03 980 8817

Fax 03 980 8816

info@aeon.co.nz

www.aeon.co.nz

ABOUT Aeon Engineering (2007) Limited

We pride ourselves in being a small but dynamic engineering company, based in Christchurch, New Zealand. Our business involves:

- General engineering and manufacturing.
- Contract CNC machining in short and long runs.
- One-off specialty machining.
- Manufacture and supply of hydraulic fittings and adaptors.

Our experienced tradesmen in our busy production machining shop are able to produce quality turned products quickly and cost-effectively.

Aeon Engineering started out in 1998 from a small shed in a suburban Christchurch backyard. The idea back then was to manufacture and supply specialised hydraulic hose and fittings that were not generally available off the shelf. That idea developed into further opportunities as the company focused on providing solutions to its clients. The company now operates from larger premises in Woolston and is key provider of machined components (metals and plastics) as well as continuing to provide hydraulic fittings.

In August 2007 the business changed hands and is now owned by John Townshend, owner of the Texco Group of Companies. John's business philosophy and that of Aeon's original owners still apply - we are about providing solutions to our customers who cover a variety of industries in Christchurch and around New Zealand.

OUR OPERATION

- Contract CNC turning & milling
- Production machining
- General engineering, welding etc

We are specialists in:

Hydraulic fittings:

- Custom made fittings and adaptors
- Small and large orders
- Unusual combinations of sizes and styles

Custom Motorcycle Parts and Accessories:

- Designed to suit your machine
- Personalised to your requirement

THE AEON DIFFERENCE

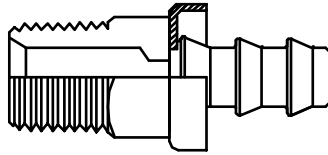
- If we don't have the product we can make it.
- We produce quality, standard and custom fittings at competitive prices.
- We run a flexible operation - we will work with you to find the solution you need.

THE AEON PART NUMBERING SYSTEM

Our part Numbering System is logical and easy to use. Simply choose your material and shape, then select the size and style of each end. Put it all together and you have your Aeon Part Number ready for ordering.

Example: BAH6B20408 is a Brass-straight-pushloc-hose fitting. Tail = BSPT Male 1/4 - 1/2

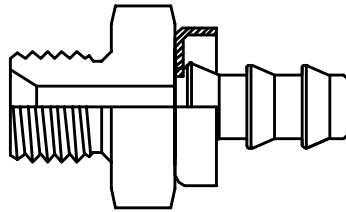
Material	Shape	First / Second End Style	First / Second End Size	
			Inches	Dash Size
B Brass	A Straight	H1 Hose tail Re-usable R1 & R2	Inches	Dash Size
N S/Steel	B Compact 90 Deg	H2 Hose tail Crimp R1,R2,R7,R8, 1 & 2wire	1/8	02
S Steel	C Compact 45 Deg	H3 Hose tail Crimp 4 wire	3/16	03
A Aluminium	D Tee	H4 Hose tail Crimp 6 wire	1/4	04
	E Cross	H5 Hose tail Re- usable R 5 Hose	5/16	05
	F Plug / Cap	H6 Hose tail Pushloc R 6	3/8	06
	G 90 Deg Swept Bend	H7 Hose tail Low pressure/suction	7/16	07
	H 45 Deg Swept bend		1/2	08
	L 90 Deg Longleg	B0 BSPP Male	9/16	09
		B1 BSPP Male (Dowty)	5/8	10
		B2 BSPT Male	11/16	11
	SUFFIX	B3 BSP Female nut	3/4	12
	EX External Hex	B4 BSP BSPT Tapped Hole	13/16	13
	IN Internal Hex	B5 BSP Flat face Female	7/8	14
	SN Steel Nut is crimped to Brass fitting	B6 BSP Flat face male	15/16	15
		B7 BSPP Female Tapped Hole	1"	16
			1.06	17
		J1 JIC Male	1.13	18
		J2	1.19	19
		J3 JIC Female	1.25	20
		J5 ORS	1.31	21
		J6 UN O ring	1.38	22
		J7 ORS Female	1.50	24
			1.75	28
		K1 Kamatsu Male	2"	32
		K2 Kamatsu Female		
		M10 Metric - Dowdy Male		
		M1 Metric Din Light Male		
		M2 Metric Din Heavy Male		
		M3 Metric Din Light Female		
		M4 Metric Din Heavy Female		
		M5 Metric Tapped Hole		
		W1 Tube Weld Female		
		W2 Weld Stud Male		
		N1 NF Thread		
		N3 NPS Female		
		N4 NPT Male		
		R4 RJT Flange		
		S3 SAE 45 Flare		
		S4 SAE O Ring Flange Code 61		
		S5 SAE O Ring Flange Code 62		

BSPT MALE STRAIGHT

Available in Steel, Brass, or Stainless Steel (Refer to "How to use this Catalogue")

Part Number	Description
SAH6B20402	Straight pushloc tail 1/4 x BSPT Male 1/8
SAH6B20404	Straight pushloc tail 1/4 x BSPT Male 1/4
SAH6B20406	Straight pushloc tail 1/4 x BSPT Male 3/8
SAH6B20502	Straight pushloc tail 5/16 x BSPT Male 1/8
SAH6B20504	Straight pushloc tail 5/16 x BSPT Male 1/4
SAH6B20506	Straight pushloc tail 5/16 x BSPT Male 3/8
SAH6B20602	Straight pushloc tail 3/8 x BSPT Male 1/8
SAH6B20604	Straight pushloc tail 3/8 x BSPT Male 1/4
SAH6B20606	Straight pushloc tail 3/8 x BSPT Male 3/8
SAH6B20608	Straight pushloc tail 3/8 x BSPT Male 1/2
SAH6B20806	Straight pushloc tail 1/2 x BSPT Male 3/8
SAH6B20808	Straight pushloc tail 1/2 x BSPT Male 1/2
SAH6B20810	Straight pushloc tail 1/2 x BSPT Male 5/8
SAH6B20812	Straight pushloc tail 1/2 x BSPT Male 3/4
SAH6B21008	Straight pushloc tail 5/8 x BSPT Male 1/2
SAH6B21010	Straight pushloc tail 5/8 x BSPT Male 5/8
SAH6B21012	Straight pushloc tail 5/8 x BSPT Male 3/4
SAH6B21208	Straight pushloc tail 3/4 x BSPT Male 1/2
SAH6B21212	Straight pushloc tail 3/4 x BSPT Male 3/4
SAH6B21216	Straight pushloc tail 3/4 x BSPT Male 1

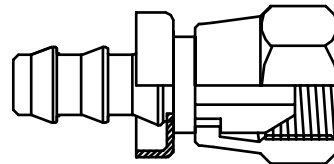
BSPP/DOWTY MALE STRAIGHT



Available in Steel, Brass, or Stainless Steel (Refer to “How to use this Catalogue”)

Part Number	Description
SAH6B10402	Straight pushloc tail 1/4 BSPP Male 1/8
SAH6B10404	Straight pushloc tail 1/4 BSPP Male 1/4
SAH6B10406	Straight pushloc tail 1/4 BSPP Male 3/8
SAH6B10502	Straight pushloc tail 5/16 BSPP Male 1/8
SAH6B10504	Straight pushloc tail 5/16 BSPP Male 1/4
SAH6B10506	Straight pushloc tail 5/16 BSPP Male 3/8
SAH6B10604	Straight pushloc tail 3/8 BSPP Male 1/4
SAH6B10606	Straight pushloc tail 3/8 BSPP Male 3/8
SAH6B10608	Straight pushloc tail 3/8 BSPP Male 1/2
SAH6B10806	Straight pushloc tail 1/2 BSPP Male 3/8
SAH6B10808	Straight pushloc tail 1/2 BSPP Male 1/2
SAH6B10812	Straight pushloc tail 1/2 BSPP Male 3/4
SAH6B11008	Straight pushloc tail 5/8 BSPP Male 1/2
SAH6B11010	Straight pushloc tail 5/8 BSPP Male 5/8
SAH6B11012	Straight pushloc tail 5/8 BSPP Male 3/4
SAH6B11208	Straight pushloc tail 3/4 BSPP Male 1/2
SAH6B11212	Straight pushloc tail 3/4 BSPP Male 3/4
SAH6B11216	Straight pushloc tail 3/4 BSPP Male 1

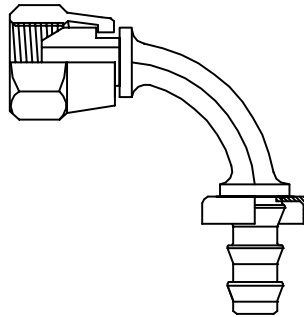
BSP FEMALE STRAIGHT



Available in Steel, Brass, or Stainless Steel (Refer to "How to use this Catalogue")

Part Number	Description
SAH6B30402	Straight pushloc tail 1/4 BSP Female 1/8
SAH6B30404	Straight pushloc tail 1/4 BSP Female 1/4
SAH6B30406	Straight pushloc tail 1/4 BSP Female 3/8
SAH6B30502	Straight pushloc tail 5/16 BSP Female 1/8
SAH6B30504	Straight pushloc tail 5/16 BSP Female 1/4
SAH6B30506	Straight pushloc tail 5/16 BSP Female 3/8
SAH6B30604	Straight pushloc tail 3/8 BSP Female 1/4
SAH6B30606	Straight pushloc tail 3/8 BSP Female 3/8
SAH6B30608	Straight pushloc tail 3/8 BSP Female 1/2
SAH6B30806	Straight pushloc tail 1/2 BSP Female 3/8
SAH6B30808	Straight pushloc tail 1/2 BSP Female 1/2
SAH6B30810	Straight pushloc tail 1/2 BSP Female 5/8
SAH6B30812	Straight pushloc tail 1/2 BSP Female 3/4
SAH6B31008	Straight pushloc tail 5/8 BSP Female 1/2
SAH6B31010	Straight pushloc tail 5/8 BSP Female 5/8
SAH6B31012	Straight pushloc tail 5/8 BSP Female 3/4
SAH6B31208	Straight pushloc tail 3/4 BSP Female 1/2
SAH6B31212	Straight pushloc tail 3/4 BSP Female 3/4
SAH6B31216	Straight pushloc tail 3/4 BSP Female 1
SAH6B31616	Straight pushloc tail 1-0 BSP Female 1-0
SAH6B31620	Straight pushloc tail 1-0 BSP Female 1-1/4

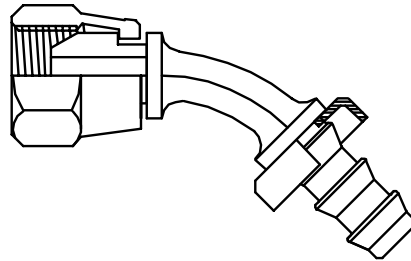
BSP FEMALE SWEPT 90° BEND



Available in Steel, Brass, or Stainless Steel (Refer to "How to use this Catalogue")

Part Number	Description
SGH6B30402	Swept 90 Bend pushloc tail 1/4 BSP Female 1/8
SGH6B30404	Swept 90 Bend pushloc tail 1/4 BSP Female 1/4
SGH6B30406	Swept 90 Bend pushloc tail 1/4 BSP Female 3/8
SGH6B30502	Swept 90 Bend pushloc tail 5/16 BSP Female 1/8
SGH6B30504	Swept 90 Bend pushloc tail 5/16 BSP Female 1/4
SGH6B30506	Swept 90 Bend pushloc tail 5/16 BSP Female 3/8
SGH6B30604	Swept 90 Bend pushloc tail 3/8 BSP Female 1/4
SGH6B30606	Swept 90 Bend pushloc tail 3/8 BSP Female 3/8
SGH6B30608	Swept 90 Bend pushloc tail 3/8 BSP Female 1/2
SGH6B30806	Swept 90 Bend pushloc tail 1/2 BSP Female 3/8
SGH6B30808	Swept 90 Bend pushloc tail 1/2 BSP Female 1/2
SGH6B30812	Swept 90 Bend pushloc tail 1/2 BSP Female 3/4
SGH6B31008	Swept 90 Bend pushloc tail 5/8 BSP Female 1/2
SGH6B31010	Swept 90 Bend pushloc tail 5/8 BSP Female 5/8
SGH6B31012	Swept 90 Bend pushloc tail 5/8 BSP Female 3/4
SGH6B31208	Swept 90 Bend pushloc tail 3/4 BSP Female 1/2
SGH6B31212	Swept 90 Bend pushloc tail 3/4 BSP Female 3/4
SGH6B31216	Swept 90 Bend pushloc tail 3/4 BSP Female 1

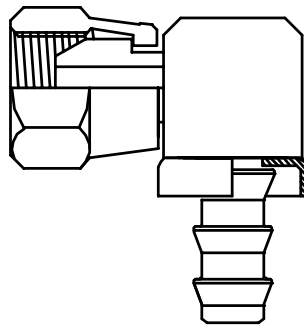
BSP FEMALE SWEPT 45° BEND



Available in Steel, Brass, or Stainless Steel (Refer to “How to use this Catalogue”)

Part Number	Description
SHH6B30402	Swept 45 Bend pushloc tail 1/4 BSP Female 1/8
SHH6B30404	Swept 45 Bend pushloc tail 1/4 BSP Female 1/4
SHH6B30406	Swept 45 Bend pushloc tail 1/4 BSP Female 3/8
SHH6B30502	Swept 45 Bend pushloc tail 5/16 BSP Female 1/8
SHH6B30504	Swept 45 Bend pushloc tail 5/16 BSP Female 1/4
SHH6B30506	Swept 45 Bend pushloc tail 5/16 BSP Female 3/8
SHH6B30604	Swept 45 Bend pushloc tail 3/8 BSP Female 1/4
SHH6B30606	Swept 45 Bend pushloc tail 3/8 BSP Female 3/8
SHH6B30608	Swept 45 Bend pushloc tail 3/8 BSP Female 1/2
SHH6B30806	Swept 45 Bend pushloc tail 1/2 BSP Female 3/8
SHH6B30808	Swept 45 Bend pushloc tail 1/2 BSP Female 1/2
SHH6B30812	Swept 45 Bend pushloc tail 1/2 BSP Female 3/4
SHH6B31008	Swept 45 Bend pushloc tail 5/8 BSP Female 1/2
SHH6B31012	Swept 45 Bend pushloc tail 5/8 BSP Female 3/4
SHH6B31208	Swept 45 Bend pushloc tail 3/4 BSP Female 1/2
SHH6B31212	Swept 45 Bend pushloc tail 3/4 BSP Female 3/4
SHH6B31216	Swept 45 Bend pushloc tail 3/4 BSP Female 1

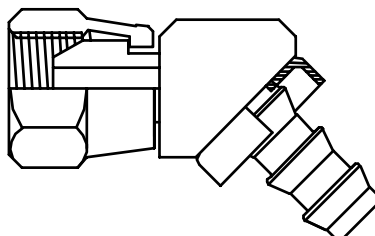
BSP FEMALE COMPACT 90° ELBOW



Available in Steel, Brass, or Stainless Steel (Refer to "How to use this Catalogue")

Part Number	Description
SBH6B30402	Compact 90 Elbow pushloc tail 1/4 BSP Female 1/8
SBH6B30404	Compact 90 Elbow pushloc tail 1/4 BSP Female 1/4
SBH6B30406	Compact 90 Elbow pushloc tail 1/4 BSP Female 3/8
SBH6B30502	Compact 90 Elbow pushloc tail 5/16 BSP Female 1/8
SBH6B30504	Compact 90 Elbow pushloc tail 5/16 BSP Female 1/4
SBH6B30506	Compact 90 Elbow pushloc tail 5/16 BSP Female 3/8
SBH6B30604	Compact 90 Elbow pushloc tail 3/8 BSP Female 1/4
SBH6B30606	Compact 90 Elbow pushloc tail 3/8 BSP Female 3/8
SBH6B30608	Compact 90 Elbow pushloc tail 3/8 BSP Female 1/2
SBH6B30806	Compact 90 Elbow pushloc tail 1/2 BSP Female 3/8
SBH6B30808	Compact 90 Elbow pushloc tail 1/2 BSP Female 1/2
SBH6B30812	Compact 90 Elbow pushloc tail 1/2 BSP Female 3/4
SBH6B31008	Compact 90 Elbow pushloc tail 5/8 BSP Female 1/2
SBH6B31010	Compact 90 Elbow pushloc tail 5/8 BSP Female 5/8
SBH6B31012	Compact 90 Elbow pushloc tail 5/8 BSP Female 3/4
SBH6B31208	Compact 90 Elbow pushloc tail 3/4 BSP Female 1/2
SBH6B31212	Compact 90 Elbow pushloc tail 3/4 BSP Female 3/4
SBH6B31216	Compact 90 Elbow pushloc tail 3/4 BSP Female 1

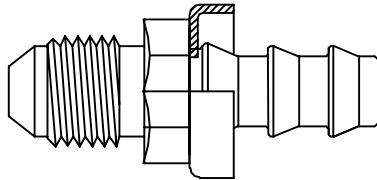
BSP FEMALE COMPACT 45° ELBOW



Available in Steel, Brass, or Stainless Steel (Refer to “How to use this Catalogue”)

Part Number	Description
SCH6B30402	Compact 45 Elbow pushloc tail 1/4 BSP Female 1/8
SCH6B30404	Compact 45 Elbow pushloc tail 1/4 BSP Female 1/4
SCH6B30406	Compact 45 Elbow pushloc tail 1/4 BSP Female 3/8
SCH6B30502	Compact 45 Elbow pushloc tail 5/16 BSP Female 1/8
SCH6B30504	Compact 45 Elbow pushloc tail 5/16 BSP Female 1/4
SCH6B30506	Compact 45 Elbow pushloc tail 5/16 BSP Female 3/8
SCH6B30604	Compact 45 Elbow pushloc tail 3/8 BSP Female 1/4
SCH6B30606	Compact 45 Elbow pushloc tail 3/8 BSP Female 3/8
SCH6B30608	Compact 45 Elbow pushloc tail 3/8 BSP Female 1/2
SCH6B30806	Compact 45 Elbow pushloc tail 1/2 BSP Female 3/8
SCH6B30808	Compact 45 Elbow pushloc tail 1/2 BSP Female 1/2
SCH6B30809	Compact 45 Elbow pushloc tail 1/2 BSP Female 9/16
SCH6B30812	Compact 45 Elbow pushloc tail 1/2 BSP Female 3/4
SCH6B31008	Compact 45 Elbow pushloc tail 5/8 BSP Female 1/2
SCH6B31010	Compact 45 Elbow pushloc tail 5/8 BSP Female 5/8
SCH6B31012	Compact 45 Elbow pushloc tail 5/8 BSP Female 3/4
SCH6B31208	Compact 45 Elbow pushloc tail 3/4 BSP Female 1/2
SCH6B31212	Compact 45 Elbow pushloc tail 3/4 BSP Female 3/4
SCH6B31214	Compact 45 Elbow pushloc tail 3/4 BSP Female 7/8
SCH6B31216	Compact 45 Elbow pushloc tail 3/4 BSP Female 1

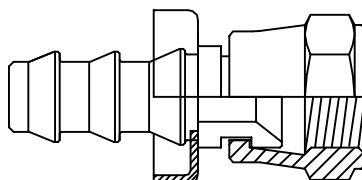
JIC MALE STRAIGHT



Available in Steel, Brass, or Stainless Steel (Refer to “How to use this Catalogue”)

Part Number	Description
SAH6J10407	Straight pushloc tail 1/4 JIC Male 7/16
SAH6J10408	Straight pushloc tail 1/4 JIC Male 1/2
SAH6J10409	Straight pushloc tail 1/4 JIC Male 9/16
SAH6J10507	Straight pushloc tail 5/16 JIC Male 7/16
SAH6J10508	Straight pushloc tail 5/16 JIC Male 1/2
SAH6J10509	Straight pushloc tail 5/16 JIC Male 9/16
SAH6J10607	Straight pushloc tail 3/8 JIC Male 7/16
SAH6J10608	Straight pushloc tail 3/8 JIC Male 1/2
SAH6J10609	Straight pushloc tail 3/8 JIC Male 9/16
SAH6J10612	Straight pushloc tail 3/8 JIC Male 3/4
SAH6J10614	Straight pushloc tail 3/8 JIC Male 7/8
SAH6J10812	Straight pushloc tail 1/2 JIC Male 3/4
SAH6J10814	Straight pushloc tail 1/2 JIC Male 7/8
SAH6J10817	Straight pushloc tail 1/2 JIC Male 1-1/16
SAH6J11014	Straight pushloc tail 5/8 JIC Male 7/8
SAH6J11017	Straight pushloc tail 5/8 JIC Male 1-1/16
SAH6J11214	Straight pushloc tail 3/4 JIC Male 7/8
SAH6J11217	Straight pushloc tail 3/4 JIC Male 1-1/16
SAH6J11219	Straight pushloc tail 3/4 JIC Male 1-3/16
SAH6J11217	Straight pushloc tail 3/4 JIC Male 1-5/16
SAH6J11617	Straight pushloc tail 1-0 JIC Male 1-1/16
SAH6J11619	Straight pushloc tail 1-0 JIC Male 1-3/16

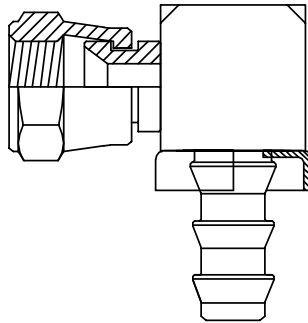
JIC FEMALE STRAIGHT



Available in Steel, Brass, or Stainless Steel (Refer to "How to use this Catalogue")

Part Number	Description
SAH6J30407	Straight pushloc tail 1/4 JIC Female 7/16
SAH6J30408	Straight pushloc tail 1/4 JIC Female 1/2
SAH6J30409	Straight pushloc tail 1/4 JIC Female 9/16
SAH6J30507	Straight pushloc tail 5/16 JIC Female 7/16
SAH6J30508	Straight pushloc tail 5/16 JIC Female 1/2
SAH6J30509	Straight pushloc tail 5/16 JIC Female 9/16
SAH6J30607	Straight pushloc tail 3/8 JIC Female 7/16
SAH6J30608	Straight pushloc tail 3/8 JIC Female 1/2
SAH6J30609	Straight pushloc tail 3/8 JIC Female 9/16
SAH6J30612	Straight pushloc tail 3/8 JIC Female 3/4
SAH6J30809	Straight pushloc tail 1/2 JIC Female 9/16
SAH6J30812	Straight pushloc tail 1/2 JIC Female 3/4
SAH6J30814	Straight pushloc tail 1/2 JIC Female 7/8
SAH6J30817	Straight pushloc tail 1/2 JIC Female 1- 1/16
SAH6J31012	Straight pushloc tail 5/8 JIC Female 3/4
SAH6J31014	Straight pushloc tail 5/8 JIC Female 7/8
SAH6J31017	Straight pushloc tail 5/8 JIC Female 1 1/16
SAH6J31214	Straight pushloc tail 3/4 JIC Female 7/8
SAH6J31217	Straight pushloc tail 3/4 JIC Female 1- 1/16
SAH6J31221	Straight pushloc tail 3/4 JIC Female 1- 5/16
SAH6J31617	Straight pushloc tail 1" JIC Female 1- 1/16

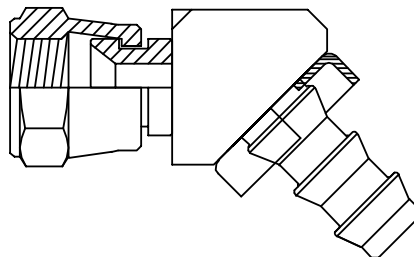
JIC FEMALE COMPACT 90° ELBOW



Available in Steel, Brass, or Stainless Steel (Refer to "How to use this Catalogue")

Part Number	Description
SBH6J30407	Compact 90 pushloc tail 1/4 JIC Female 7/16
SBH6J30408	Compact 90 pushloc tail 1/4 JIC Female 1/2
SBH6J30409	Compact 90 pushloc tail 1/4 JIC Female 9/16
SBH6J30507	Compact 90 pushloc tail 5/16 JIC Female 7/16
SBH6J30508	Compact 90 pushloc tail 5/16 JIC Female 1/2
SBH6J30509	Compact 90 pushloc tail 5/16 JIC Female 9/16
SBH6J30607	Compact 90 pushloc tail 3/8 JIC Female 7/16
SBH6J30608	Compact 90 pushloc tail 3/8 JIC Female 1/2
SBH6J30609	Compact 90 pushloc tail 3/8 JIC Female 9/16
SBH6J30612	Compact 90 pushloc tail 3/8 JIC Female 3/4
SBH6J30809	Compact 90 pushloc tail 1/2 JIC Female 9/16
SBH6J30812	Compact 90 pushloc tail 1/2 JIC Female 3/4
SBH6J30814	Compact 90 pushloc tail 1/2 JIC Female 7/8
SBH6J30817	Compact 90 pushloc tail 1/2 JIC Female 1-1/16
SBH6J31012	Compact 90 pushloc tail 5/8 JIC Female 3/4
SBH6J31014	Compact 90 pushloc tail 5/8 JIC Female 7/8
SBH6J31017	Compact 90 pushloc tail 5/8 JIC Female 1 1/16
SBH6J31212	Compact 90 pushloc tail 3/4 JIC Female 3/4
SBH6J31214	Compact 90 pushloc tail 3/4 JIC Female 7/8
SBH6J31217	Compact 90 pushloc tail 3/4 JIC Female 1 1/16
SBH6J31221	Compact 90 pushloc tail 3/4 JIC Female 1 5/16

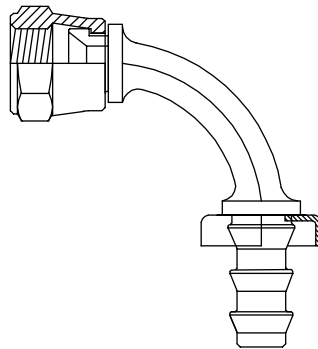
JIC FEMALE COMPACT 45° ELBOW



Available in Steel, Brass, or Stainless Steel (Refer to "How to use this Catalogue")

Part Number	Description
SCH6J30407	Compact 45 pushloc tail 1/4 JIC Female 7/16
SCH6J30408	Compact 45 pushloc tail 1/4 JIC Female 1/2
SCH6J30409	Compact 45 pushloc tail 1/4 JIC Female 9/16
SCH6J30507	Compact 45 pushloc tail 5/16 JIC Female 7/16
SCH6J30508	Compact 45 pushloc tail 5/16 JIC Female 1/2
SCH6J30509	Compact 45 pushloc tail 5/16 JIC Female 9/16
SCH6J30609	Compact 45 pushloc tail 3/8 JIC Female 1/2
SCH6J30608	Compact 45 pushloc tail 3/8 JIC Female 9/16
SCH6J30612	Compact 45 pushloc tail 3/8 JIC Female 3/4
SCH6J30809	Compact 45 pushloc tail 1/2 JIC Female 9/16
SCH6J30812	Compact 45 pushloc tail 1/2 JIC Female 3/4
SCH6J30814	Compact 45 pushloc tail 1/2 JIC Female 7/8
SCH6J31012	Compact 45 pushloc tail 5/8 JIC Female 3/4
SCH6J31014	Compact 45 pushloc tail 5/8 JIC Female 7/8
SCH6J31017	Compact 45 pushloc tail 5/8 JIC Female 1 1/16
SCH6J31214	Compact 45 pushloc tail 3/4 JIC Female 7/8
SCH6J31217	Compact 45 pushloc tail 3/4 JIC Female 1 1/16
SCH6J31221	Compact 45 pushloc tail 3/4 JIC Female 1 5/16

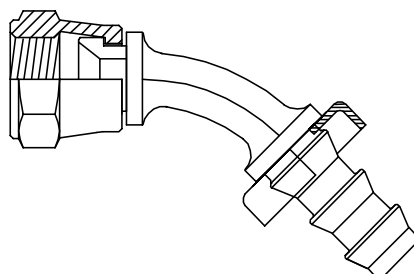
JIC FEMALE SWEPT 90° BEND



Available in Steel, Brass, or Stainless Steel (Refer to "How to use this Catalogue")

Part Number	Description
SGH6J30407	Swept 90 Bend pushloc tail 1/4 JIC Female 7/16
SGH6J30408	Swept 90 Bend pushloc tail 1/4 JIC Female 1/2
SGH6J30409	Swept 90 Bend pushloc tail 1/4 JIC Female 9/16
SGH6J30507	Swept 90 Bend pushloc tail 5/16 JIC Female 7/16
SGH6J30508	Swept 90 Bend pushloc tail 5/16 JIC Female 1/2
SGH6J30509	Swept 90 Bend pushloc tail 5/16 JIC Female 9/16
SGH6J30607	Swept 90 Bend pushloc tail 3/8 JIC Female 7/16
SGH6J30608	Swept 90 Bend pushloc tail 3/8 JIC Female 1/2
SGH6J30609	Swept 90 Bend pushloc tail 3/8 JIC Female 9/16
SGH6J30612	Swept 90 Bend pushloc tail 3/8 JIC Female 3/4
SGH6J30809	Swept 90 Bend pushloc tail 1/2 JIC Female 9/16
SGH6J30812	Swept 90 Bend pushloc tail 1/2 JIC Female 3/4
SGH6J30814	Swept 90 Bend pushloc tail 1/2 JIC Female 7/8
SGH6J30817	Swept 90 Bend pushloc tail 1/2 JIC Female 1 1/16
SGH6J31012	Swept 90 Bend pushloc tail 5/8 JIC Female 3/4
SGH6J31014	Swept 90 Bend pushloc tail 5/8 JIC Female 7/8
SGH6J31017	Swept 90 Bend pushloc tail 5/8 JIC Female 1 1/16
SGH6J31214	Swept 90 Bend pushloc tail 3/4 JIC Female 7/8
SGH6J31217	Swept 90 Bend pushloc tail 3/4 JIC Female 1 1/16
SGH6J31221	Swept 90 Bend pushloc tail 3/4 JIC Female 1 5/16

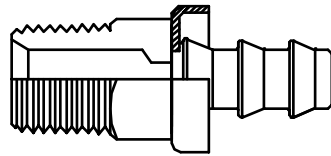
JIC FEMALE SWEPT 45° BEND



Available in Steel, Brass, or Stainless Steel (Refer to "How to use this Catalogue")

Part Number	Description
SHH6J30407	Swept 45 Bend pushloc tail 1/4 JIC Female 7/16
SHH6J30408	Swept 45 Bend pushloc tail 1/4 JIC Female 1/2
SHH6J30409	Swept 45 Bend pushloc tail 1/4 JIC Female 9/16
SHH6J30507	Swept 45 Bend pushloc tail 5/16 JIC Female 7/16
SHH6J30508	Swept 45 Bend pushloc tail 5/16 JIC Female 1/2
SHH6J30509	Swept 45 Bend pushloc tail 5/16 JIC Female 9/16
SHH6J30607	Swept 45 Bend pushloc tail 3/8 JIC Female 7/16
SHH6J30608	Swept 45 Bend pushloc tail 3/8 JIC Female 1/2
SHH6J30609	Swept 45 Bend pushloc tail 3/8 JIC Female 9/16
SHH6J30612	Swept 45 Bend pushloc tail 3/8 JIC Female 3/4
SHH6J30809	Swept 45 Bend pushloc tail 1/2 JIC Female 9/16
SHH6J30812	Swept 45 Bend pushloc tail 1/2 JIC Female 3/4
SHH6J30814	Swept 45 Bend pushloc tail 1/2 JIC Female 7/8
SHH6J30817	Swept 45 Bend pushloc tail 1/2 JIC Female 1 1/16
SHH6J31012	Swept 45 Bend pushloc tail 5/8 JIC Female 3/4
SHH6J31014	Swept 45 Bend pushloc tail 5/8 JIC Female 7/8
SHH6J31017	Swept 45 Bend pushloc tail 5/8 JIC Female 1 1/16
SHH6J31214	Swept 45 Bend pushloc tail 3/4 JIC Female 7/8
SHH6J31217	Swept 45 Bend pushloc tail 3/4 JIC Female 1 1/16
SHH6J31221	Swept 45 Bend pushloc tail 3/4 JIC Female 1 5/16

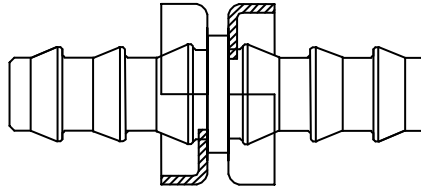
NPT MALE STRAIGHT



Available in Steel, Brass, or Stainless Steel (Refer to "How to use this Catalogue")

Part Number	Description
SAH6N40402	Straight pushloc tail 1/4 NPT Male 1/8
SAH6N40404	Straight pushloc tail 1/4 NPT Male 1/4
SAH6N40406	Straight pushloc tail 1/4 NPT Male 3/8
SAH6N40502	Straight pushloc tail 5/16 NPT Male 1/8
SAH6N40504	Straight pushloc tail 5/16 NPT Male 1/4
SAH6N40506	Straight pushloc tail 5/16 NPT Male 3/8
SAH6N40602	Straight pushloc tail 3/8 NPT Male 1/8
SAH6N40604	Straight pushloc tail 3/8 NPT Male 1/4
SAH6N40606	Straight pushloc tail 3/8 NPT Male 3/8
SAH6N40608	Straight pushloc tail 3/8 NPT Male 1/2
SAH6N40806	Straight pushloc tail 1/2 NPT Male 3/8
SAH6N40808	Straight pushloc tail 1/2 NPT Male 1/2
SAH6N40812	Straight pushloc tail 1/2 NPT Male 3/4
SAH6N41008	Straight pushloc tail 5/8 NPT Male 1/2
SAH6N41012	Straight pushloc tail 5/8 NPT Male 3/4
SAH6N41208	Straight pushloc tail 3/4 NPT Male 1/2
SAH6N41212	Straight pushloc tail 3/4 NPT Male 3/4
SAH6N41216	Straight pushloc tail 3/4 NPT Male 1

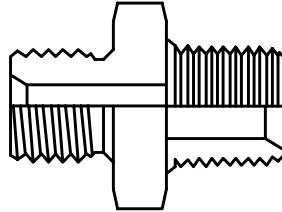
PUSHLOC/PUSHLOC HOSE JOINERS



Available in Steel, Brass, or Stainless Steel (Refer to "How to use this Catalogue")

Part Number	Description
SAH6H60404	Straight pushloc tail 1/4 - Pushloc 1/4
SAH6H60406	Straight pushloc tail 1/4 - Pushloc 3/8
SAH6H60505	Straight pushloc tail 5/16 - Pushloc 5/16
SAH6H60606	Straight pushloc tail 3/8 - Pushloc 3/8
SAH6H60608	Straight pushloc tail 3/8 - Pushloc 1/2
SAH6H60809	Straight pushloc tail 1/2 - Pushloc 9/16
SAH6H60808	Straight pushloc tail 1/2 - Pushloc 1/2
SAH6H60810	Straight pushloc tail 1/2 - Pushloc 5/8
SAH6H61012	Straight pushloc tail 5/8 - Pushloc 3/4
SAH6H61212	Straight pushloc tail 3/4 - Pushloc 3/4
SAH6H60604	Straight pushloc tail 3/8 - Pushloc 1/4
SAH6H60606	Straight pushloc tail 3/8 - Pushloc 3/8
SAH6H60608	Straight pushloc tail 3/8 - Pushloc 1/2
SAH6H60806	Straight pushloc tail 1/2 - Pushloc 3/8
SAH6H60808	Straight pushloc tail 1/2 - Pushloc 1/2
SAH6H60812	Straight pushloc tail 1/2 - Pushloc 3/4
SAH6H61008	Straight pushloc tail 5/8 - Pushloc 1/2
SAH6H61010	Straight pushloc tail 5/8 - Pushloc 5/8
SAH6H61012	Straight pushloc tail 5/8 - Pushloc 3/4
SAH6H61208	Straight pushloc tail 3/4 - Pushloc 1/2
SAH6H61212	Straight pushloc tail 3/4 - Pushloc 3/4
SAH6H61214	Straight pushloc tail 3/4 - Pushloc 7/8

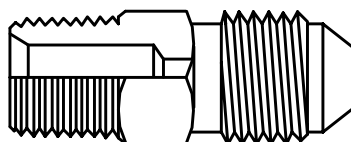
STRAIGHT BSPP MALE - BSPT MALE



Available in Steel, Brass, or Stainless Steel (Refer to "How to use this Catalogue")

Part Number	Description
BAB1B20402	1/4 BSPP Male BSPT Male 1/8
BAB1B20404	1/4 BSPP Male BSPT Male 1/4
BAB1B20406	1/4 BSPP Male BSPT Male 3/8
BAB1B20604	3/8 BSPP Male BSPT Male 1/4
BAB1B20606	3/8 BSPP Male BSPT Male 3/8
BAB1B20608	3/8 BSPP Male BSPT Male 1/2
BAB1B20806	1/2 BSPP Male BSPT Male 3/8
BAB1B20808	1/2 BSPP Male BSPT Male 1/2
BAB1B20812	1/2 BSPP Male BSPT Male 3/4
BAB1B21208	3/4 BSPP Male BSPT Male 1/2
BAB1B21212	3/4 BSPP Male BSPT Male 3/4
BAB1B21216	3/4 BSPP Male BSPT Male 1
BAB1B21612	1 BSPP Male BSPT Male 3/4
BAB1B21616	1 BSPP Male BSPT Male 1

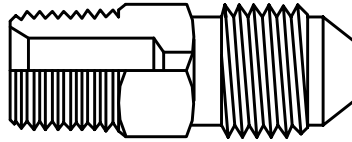
STRAIGHT BSPT MALE - JIC MALE



Available in Steel, Brass, or Stainless Steel (Refer to "How to use this Catalogue")

Part Number	Description
BAB2J10207	Adaptor 1/8 BSPT Male 7/16 JIC Male
BAB2J10407	Adaptor 1/4 BSPT Male 7/16 JIC Male
BAB2J10409	Adaptor 1/4 BSPT Male 9/16 JIC Male
BAB2J10607	Adaptor 3/8 BSPT Male 7/16 JIC Male
BAB2J10609	Adaptor 3/8 BSPT Male 9/16 JIC Male
BAB2J10612	Adaptor 3/8 BSPT Male 3/4 JIC Male
BAB2J10807	Adaptor 1/2 BSPT Male 7/16 JIC Male
BAB2J10809	Adaptor 1/2 BSPT Male 9/16 JIC Male
BAB2J10812	Adaptor 1/2 BSPT Male 3/4 JIC Male
BAB2J10814	Adaptor 1/2 BSPT Male 7/8 JIC Male
BAB2J10817	Adaptor 1/2 BSPT Male 1 1/16 JIC Male
BAB2J11212	Adaptor 3/4 BSPT Male 3/4 JIC Male
BAB2J11214	Adaptor 3/4 BSPT Male 7/8 JIC Male
BAB2J11217	Adaptor 3/4 BSPT Male 1 1/16 JIC Male
BAB2J11617	Adaptor 1 BSPT Male 1 1/16 JIC Male
BAB2J11621	Adaptor 1 BSPT Male 1 5/16 JIC Male

STRAIGHT NPT MALE - JIC MALE



Available in Steel, Brass, or Stainless Steel (Refer to "How to use this Catalogue")

Part Number	Description
BAN4J10207	Adaptor 1/8 NPT Male 7/16 JIC Male
BAN4J10407	Adaptor 1/4 NPT Male 7/16 JIC Male
BAN4J10409	Adaptor 1/4 NPT Male 9/16 JIC Male
BAN4J10607	Adaptor 3/8 NPT Male 7/16 JIC Male
BAN4J10609	Adaptor 3/8 NPT Male 9/16 JIC Male
BAN4J10612	Adaptor 3/8 NPT Male 3/4 JIC Male
BAN4J10807	Adaptor 1/2 NPT Male 7/16 JIC Male
BAN4J10809	Adaptor 1/2 NPT Male 9/16 JIC Male
BAN4J10812	Adaptor 1/2 NPT Male 3/4 JIC Male
BAN4J10814	Adaptor 1/2 NPT Male 7/8 JIC Male
BAN4J10817	Adaptor 1/2 NPT Male 1 1/16 JIC Male
BAN4J11212	Adaptor 3/4 NPT Male 3/4 JIC Male
BAN4J11214	Adaptor 3/4 NPT Male 7/8 JIC Male
BAN4J11217	Adaptor 3/4 NPT Male 1 1/16 JIC Male
BAN4J11617	Adaptor 1 NPT Male 1 1/16 JIC Male
BAN4J11621	Adaptor 1 NPT Male 1 5/16 JIC Male

ADDITIONAL ITEMS

We do a lot more than what's shown in this catalogue. See below for an idea of what we can do for you. Many are kept in stock, but the rest are available on request.

Manufactured from Brass, Steel, Stainless Steel or Aluminium

- BSP and NPT internal hex plugs
- 90 deg Compact Elbows BSPT – JIC
- 90 deg Compact Elbows NPT – JIC
- NPT - NPT Straight adaptors and reducers
- UNO - JIC Male Straight Adaptors
- BSP - ORS Male Straight Adaptors
- NPT- ORS Male Straight Adaptors
- Plus much more...

INDEX OF PARTS

Part Name	Page
BSP MALE STRAIGHT	6
BSP FEMALE STRAIGHT	7
BSPP/DOWTY MALE STRAIGHT	8
BSP FEMALE SWEPT 90° BEND	9
BSP FEMALE SWEPT 45° BEND	10
BSP FEMALE COMPACT 90° ELBOW	11
BSP FEMALE COMPACT 45° ELBOW	12
JIC MALE STRAIGHT	13
JIC FEMALE STRAIGHT	14
JIC FEMALE COMPACT 90° ELBOW	15
JIC FEMALE COMPACT 45° ELBOW	16
JIC FEMALE SWEPT 90° BEND	17
JIC FEMALE SWEPT 45° BEND	18
NPT MALE STRAIGHT	19
PUSHLOC/PUSHLOC HOSE JOINERS	20
STRAIGHT BSPP MALE - BSPT MALE	21
STRAIGHT BSPT MALE - JIC MALE	22
STRAIGHT NPT MALE - JIC MALE	23
Additional Items	24
Order Form	25



22 Maunsell St, Woolson
PO Box 19-044, Christchurch
Ph: 03 980 8817
Fax: 03 980 8819
info@aeon.co.nz

www.aeon.co.nz